

**SERIES TTS**

3/4" to 4" (M20-M100)  
 236 kN - 2.820 kN  
 Stroke 10 - 15 mm  
 1.500 bar

Serie  
**TTS**

**Top side bolt tensioners**

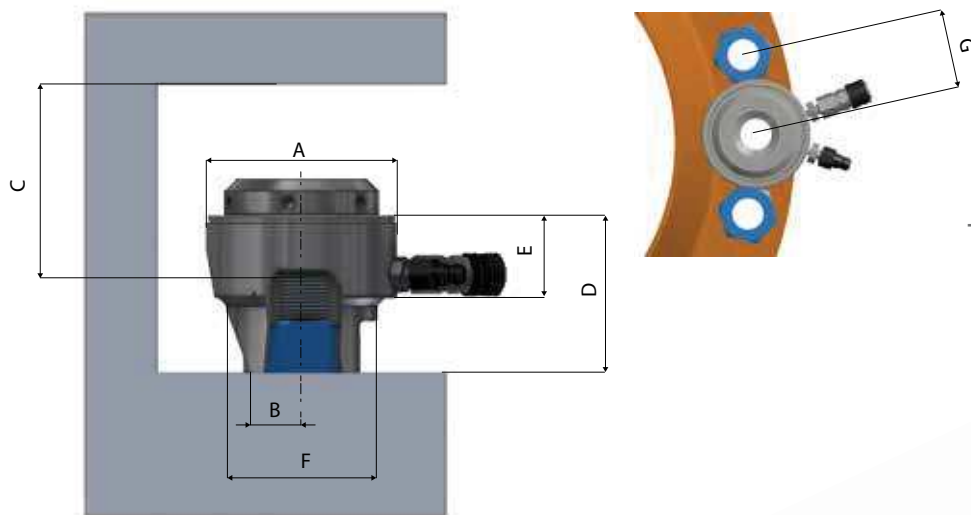
**Powerful, extra compact and general-purpose bolt tensioning tools. With anti over-stroke device.**

- The Tensioners Series TTS are designed to suit most flanges type: ANSI B16.5 - ANSI B16.47 - B.S.3293 - AWWA - MSS-SP44 - API-6A - API-17D - UNI EN 1092-1
- **Powerful and extra compact.** Great ratio between developed force and tools dimensions.
- **Dimensions and weight make the difference.** Series TTS is extremely compact and light weight to be suitable for the most tensioning operations.
- **Maximum flexibility.** With only 6 hydraulic cells the operator can cover an extended range of Imperial or Metric thread sizes from 3/4" to 4" (M20 – M100)
- 15 mm stroke cover most of the tensioning application. If longer stroke are required the tensioning operation can be carry on by steps.
- All components are manufactured with hardened high tensile strength steel.
- Special treatment to guarantee: **high resistance to corrosion - high resistance to wear** – extremely low friction to help during screw operations
- Safety is a must. All size have over stroke indicators
- All model are equipped with 2 quick couplers male and female for serial hydraulic connection between tensioners.
- **Special high quality seals** for leak free operations and easy maintenance.

• Anti over stroke device for the maximum safety during operations.

**SPECIAL TENSION REQUEST**

Set of tensioners for multiple tensioning (multi- stud) of M64 bolts - 2.300 bar



TENSIONING TOOL TTS SERIES COMPONENTS



HYDRAULIC CELL Code	IMPERIAL ADAPTER KITS		METRIC ADAPTER KITS		FORCE		HYDRAULIC AREA		STROKE mm	WEIGHT kg	DIMENSIONS (mm)						
	Thread size	Kit code	Thread size	Kit code	kN	Ton	in <sup>2</sup>	mm <sup>2</sup>			A	B	C	D	E	F	G (min)
TTS1	3/4"-10 UNC	1.KI030410UNC	M20x2,5	1.KM.020025	236,5	24,1	2,44	1576,46	10	2	73	16	64	75	45	52	44,50
	7/8"-9 UNC	1.KI070809UNC	M22x2,5	1.KM.022025								22		79		58	50,50
	1"-8 UN	1.KI100008UN	M24x3	1.KM.024030								23		81		62	55
	1.1/8"-8 UN	1.KI110808UN	M27x3	1.KM.027030								24		81		68	61
TTS2	1.1/8"-8 UN	2.KI110808UN	M27x3	2.KM.027030	459,5	46,8	4,75	3063,05	15	4,6	101	25	89	104	54	75	64,50
	-	-	M30x3,5	2.KM.030035								25		104,		75	64,50
	1.1/4"-8 UN	2.KI110408UN	M33x3,5	2.KM.033035								4,5		108		80	69,50
	1.3/8"-8 UN	2.KI130808UN	M36x4	2.KM.036040								4,4		111		84	74,50
TTS3	1.1/2"-8 UN	2.KI110208UN	M39x4	2.KM.039040	831,3	84,7	8,59	5541,77	15	7,7	133	34	89	106,	57	95	82,50
	-	-	M42x4,5	3.KM.042045								36		109		104	90
	1.5/8"-8 UN	3.KI150808UN	M45x4,5	3.KM.045045								7,5		112		108	94,50
	1.3/4"-8 UN	3.KI130408UN	M48x5	3.KM.048050								42		117		112	99,50
	1.7/8"-8 UN	3.KI170808UN	M52x5	3.KM.052050								48		118		116	104,50
TTS4	2"-8 UN	4.KI200008UN	M52x5	4.KM.052050	1345,5	137,2	13,90	8970,03	15	13,2	163	43	102	125	63	122	104,50
	2.1/4"-8 UN	4.KI210408UN	M56x5,5	4.KM.056055								45		128,		123	108
	-	-	M60x5,5	4.KM.060055								54		133		133	117,50
	2.1/2"-8 UN	4.KI210208UN	M64x6	4.KM.064060								53		137		140	120,50
TTS5	2.1/2"-8 UN	5.KI210208UN	M64x6	5.KM.064060	1927,3	196,5	19,91	12848,33	15	18,9	193	59	98	134	63	148	131
	-	-	M68x6	5.KM.068060								19		137		154	135
	2.3/4"-8 UN	5.KI230408UN	M72x6	5.KM.072060								18,2		140		158	141,50
	3"-8 UN	5.KI300008UN	M76x6	5.KM.076060								17,5		146		165	150,50
TTS6	3"-8 UN	6.KI300008UN	M76x6	6.KM.076060	2819,9	287,5	29,14	18799,29	15	34,3	232	75	125	160	73	170	153
	-	-	M80x6	6.KM.080060								36,3		165		177	155
	3.1/4"-8 UN	6.KI310408UN	M85x6	6.KM.085060								34,3		170		182	164,50
	3.1/2"-8 UN	6.KI310208UN	M90x6	6.KM.090060								33		175		191	174,50
	3.3/4"-8 UN	6.KI330408UN	M95x6	6.KM.095060								32,9		180		206	187,50
	4"-8 UN	6.KI400008UN	M100x6	6.KM.100060								32,9		185		216	198