

HSW15TEX

HYDRAULIC FLANGE SPREADER WEDGE
 ATEX TWIN KIT

PRODUCT DATA SHEET



SPREADING FORCE:

With 700 bar (10,000 psi) hydraulic pressure applied:
 15.5 Ton per tool

It is recommended that tools are used in pair giving:
 2 x 15.5 Ton = 31 Ton



KIT COMPONENTS

- 2 x Wedgehead
 - 2 x 700 bar (10,000 psi) Hydraulic Cylinder
 - 2 x Safety Block
 - 2 x Safety Lanyard incl. 4 Buckles
 - 2 x Pairs of Stepped Blocks
 - 2 x Hex Key
 - 1 x Molding Case
- Product Code: HSW15TEX Twin Kit

Flange Spreader HSW15TEX is marked:



II 2G Ex h IIB T5 Gb
 II 2D Ex h IIIC T100°C Db

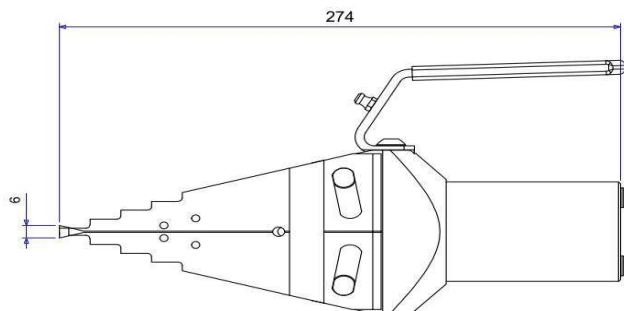
TOOL WEIGHT = 7.0 kg

WEIGHTS AND DIMENSIONS

Tool weight: 7.0 kg
 Safety Block: 0.38 kg
 Gross weight: 20.81 kg

Molding Case Dimensions:
 580 mm x 340 mm x 180 mm

TOOL DIMENSIONS - CLOSED



TOOL DIMENSIONS - OPEN

