

HFA9T HFA9THP Kit

HYDRAULIC FLANGE
ALIGNMENT TOOL

PRODUCT DATA SHEET



ALIGNING FORCE: 9 Ton
WING EXTENSION: 105-240mm

KIT COMPONENTS

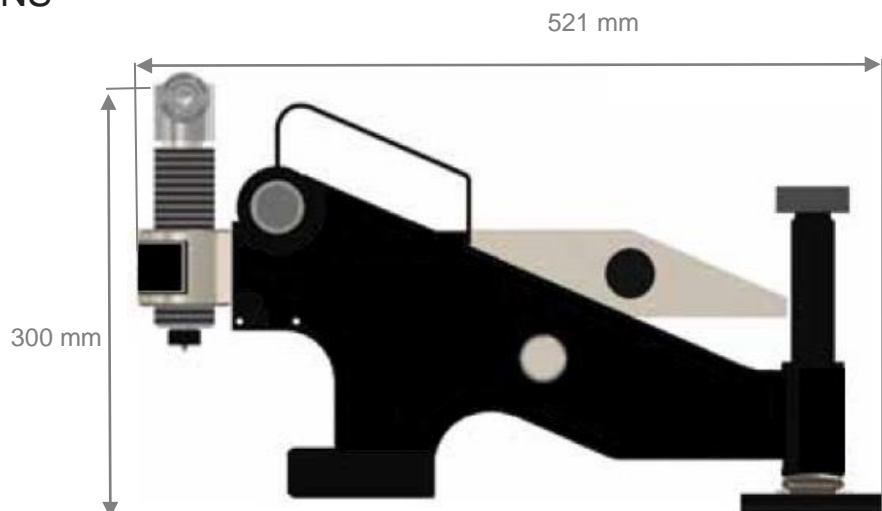
- 1 x HF9T Tool
- 1 x Ratchet Strap
- 1 x Molding Case

Product Code: HFA9T

TOOL WEIGHT: 14.5 kg

WEIGHTS AND DIMENSIONS

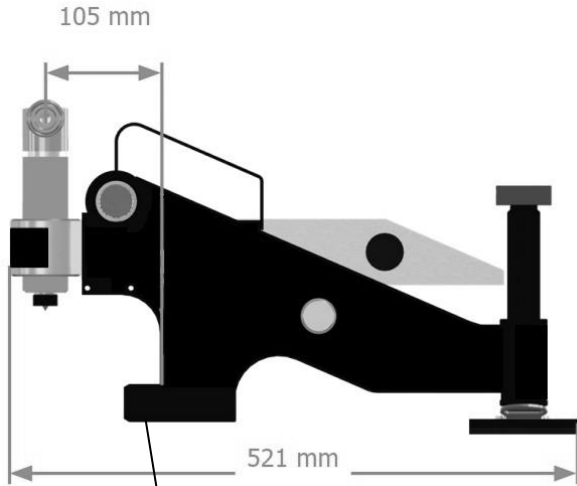
Tool weight: 14.5 kg
Molding Case: 2.5 kg
Gross weight: 18.24 kg
Molding Case Dimensions:
600 mm x 370 mm x 200 mm



HFA9T / HFA9THP Kit

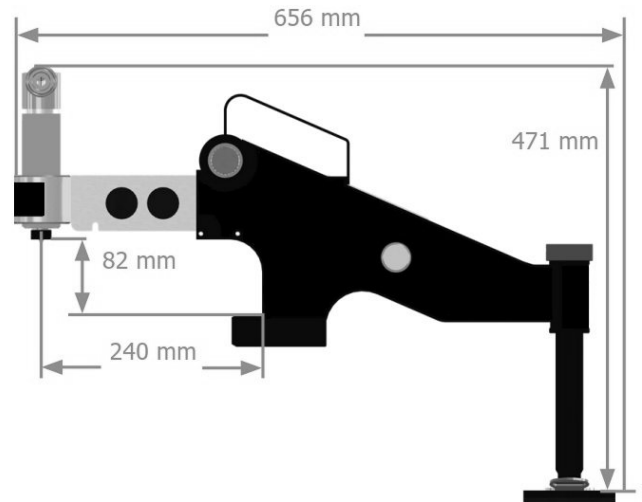
HYDRAULIC FLANGE ALIGNMENT TOOL

Minimum Extension



Minimum applicable Bolt Hole Diameter 35.5 mm (1.40")

Maximum Extension



RANGE OF APPLICATION

ASME	150#	36" ~ 48"
	300#	16" ~ 24" & 38" ~ 48"
	400#	12" ~ 24" & 38" ~ 48"
	600#	10" ~ 24" & 38" ~ 48"
	900#	8" ~ 30"
	1500#	5" ~ 20"
	2500#	3" & 4" ~ 12"

For other flange types, please contact the authorized dealers.

HFA9THP Kit

COMPONENTS BOX A

1 x HFA9T Tool
1 x Ratchet Strap
1 x Molding Case
580 x 370 x 200 mm

Product Code: HFA9T Kit



COMPONENTS BOX B:

1 x P350AEX Pump Unit
1 x 0-1,000 bar Gauge
1 x 3/8" Port Gauge Adaptor
1 x Hydraulic hose ; 1.8m length ;
700 bar with two couplers
1 x Instruction Manual
1 x Molding Case
580 x 170 x 200 mm

Product Code: HP350A Kit

